

FAMILY OWNED AND OPERATED SINCE 1933



Hannay Reels®
The reel leader.

Cable Reels



The
Hannay
Way

Rescue and Haz-mat Operations • Agriculture
Grounds Maintenance and MRO • Electric Tools
Video Inspection • Portable Lighting • Broadcast/Entertainment
Auxiliary Leads for Power Generation • Hoist and Crane Operations

www.hannay.com

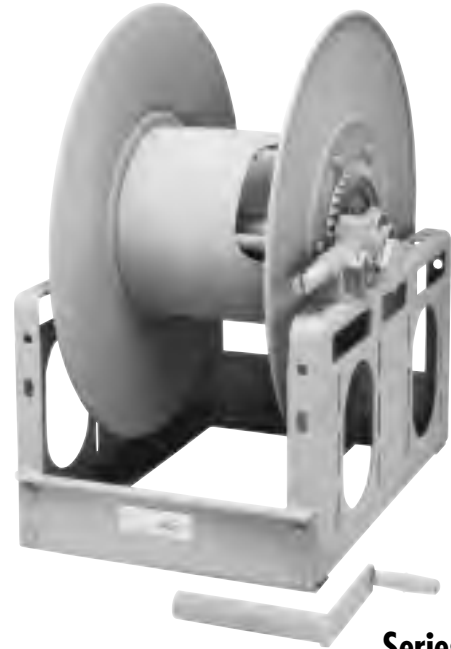
Pride in workmanship • Reels built to order • Consistent quality • Service with integrity • Value for your dollar



MANUAL AND POWER REWIND REELS

For storage only. No live connections.

- Heavy-duty reels.
- 4-1/2" x 7" (114.3 mm x 177.8 mm) opening in the drum.
- Many optional configurations available.
- Gear driven crank rewind; or chain and sprocket drive powered by electric, compressed air, or hydraulic motor.
- Auxiliary crank rewind is available on power reels.
- Crank rewind reels supplied with pinion brake.
- Power rewind standard with a comet brake.
- Consult factory for other brakes and locking devices.
- Rollers and roller mounting brackets are accessory items. Specify roller position.
- Divider discs available. Specify spacing.
- Drum diameters other than the standard are available.
- Note: larger drum diameter reduces reel capacity.



Series C
Standard
Configuration
Shown



Electrical utilities all across America rely on rugged Hannay cable storage reels to protect high-voltage cable from damage.



Parts Drawing – ISO 71

| Model Number For Power Rewind See Note 5 | Cable Capacity of Reel feet m. | | | Approx. Weight Crank Rewind lb. kg. | | Reel Dimensions*** inches mm. | | | | | | | | | |
|---|--------------------------------------|------------|------------|---|-----------|-------------------------------------|-------------|-------------|--------------|-------------|-------------|--------------|--------------|-------------|--------------|
| | O.D. (in) O.D. (mm) | 3/4" 19 | 1" 25 | NET | SHIP | A | B | D | E | F CRANK | F POWER | G | H | X | Y |
| C20-19-21 | | 250 76 | 150 46 | 66 30 | 101 46 | 17 432 | 11.5 292 | 20.5 521 | 18.75 476 | 20 508 | 24.5 622 | 21.5 546 | 12.12 308 | 9 229 | 16.75 425 |
| C26-19-21 | | 350 107 | 200 61 | 78 35 | 113 51 | 23 584 | 17.5 445 | 20.5 521 | 18.75 476 | 26 660 | 30.5 775 | 21.5 546 | 12.12 308 | 15 381 | 16.75 425 |
| C20-23-24 | | - | 250 76 | 73 33 | 108 49 | 17 432 | 11.5 292 | 20.5 521 | 22.75 578 | 20 508 | 24.5 622 | 23.5 597 | 12.12 308 | 9 229 | 16.75 425 |
| C28-23-24 | | - | 475 145 | 89 40 | 124 56 | 25.5 648 | 20 508 | 20.5 521 | 22.75 578 | 28.5 724 | 33 838 | 23.5 597 | 12.12 308 | 17.5 445 | 16.75 425 |
| C20-25-26 | | - | 325 99 | 86 39 | 121 55 | 17 432 | 11.5 292 | 25.5 648 | 24.75 629 | 20 508 | 24.5 622 | 27.88 708 | 15.5 394 | 9 229 | 21.75 552 |
| C24-25-26 | | - | 450 137 | 94 943 | 129 59 | 21 533 | 15.5 394 | 25.5 648 | 24.75 629 | 24 610 | 28.5 724 | 27.88 708 | 15.5 394 | 13 330 | 21.75 552 |
| C18-30-31 | | - | 375 114 | 90 41 | 125 57 | 15 381 | 9.5 241 | 25.5 648 | 28.75 730 | 18 457 | 22.5 572 | 29.88 759 | 15.5 394 | 7 178 | 21.75 552 |

Notes:

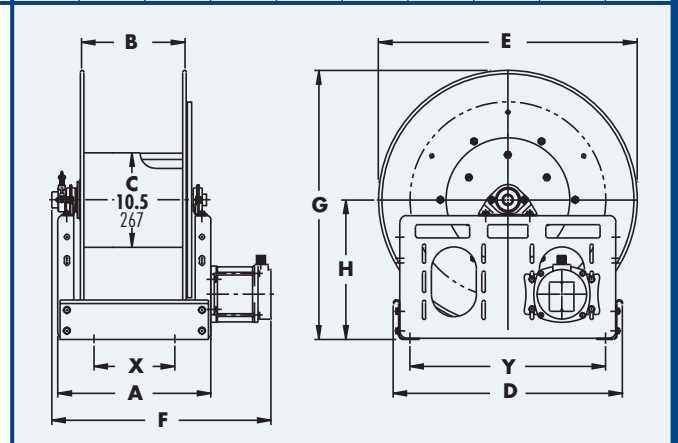
- Specifications subject to change.
- Upon request, reels can be supplied with drum lengths other than shown and with disc sizes in other diameters.
- Dimensions reflect pressed frames.
- Weights shown in chart are for crank rewind models. Add these amounts for power rewind models.

| | Net (lbs.) | Ship (lbs.) | Net (kg.) | Ship (kg.) |
|-----------|------------|-------------|-----------|------------|
| Electric | 40 | 40 | 18.1 | 18.1 |
| Hydraulic | 20 | 20 | 9.1 | 9.1 |
| Air | 20 | 20 | 9.1 | 9.1 |

- When ordering power rewind models, prefix model number with:
 A = Air Rewind E = Electric Rewind HD = Hydraulic Rewind
 (Air rewind reels are supplied with control valve and hose;
 12v and 24v DC rewind reels are supplied with switch and solenoid; 115v AC
 rewind reels are not supplied with switch but can be ordered separately;
 hydraulic rewind reels are not supplied with control valve.)

6. Be sure to check dimensions and weights prior to ordering.

***x,y indicate mounting holes



C3200/C1500

MANUAL AND POWER REWIND STORAGE REELS

For storage only. No live connections.

Series C3200

- 4-1/2" x 7" (114.3 mm x 177.8 mm) drum opening.
- Disc rewind or optional removable direct crank rewind.
- Spring actuated pin lock.

Series C1500

- 1-1/8" x 2-3/8" (28.6 mm x 60.3 mm) drum opening.
- Direct crank is permanently attached.
- Removable crank optional.
- Also available chain and sprocket rewind powered by electric, compressed air or hydraulic motor.
- Spring actuated pin lock.
- Cam-Lock brake.
- Consult factory for other brakes or locking devices.
- Rollers and roller mounting brackets are accessory items. Specify roller position.
- Divider discs are available, specify spacing of discs.
- Consult factory for other drum diameters.
- Note: larger drum diameter reduces reel capacity.



Series C3200
Standard Configuration shown

Shown with
Optional
Crank Handle



Series C1500
Standard Configuration shown

C3200/C1500

Parts Drawing: Series C3200 – ISO 117; Series C1500 – ISO 179

| Model Number For Power Rewind See Note 5 | Cable Capacity of Reel feet m. | | | | Approx. Weight Crank Rewind ⁴ lb. kg. | | Reel Dimensions*** inches mm. | | | | | | | | | |
|--|--------------------------------------|-----------|------------|------------|---|-----|-------------------------------------|------|------|-------|------------|----------|------------|----------|------|------|
| | O.D. (in) O.D. (mm) | 1/4" 6 | 1/2" 13 | 3/4" 19 | 1" 25 | NET | SHIP | A | B | C | E CRANK | E PWR | F CRANK | F PWR | G | H |
| C3216-25-26 | - | - | 350 | 150 | 81 | 123 | 13 | 7.5 | 10.5 | 24.75 | - | 20 | - | 27.88 | 15.5 | 5 |
| | - | - | 107 | 46 | 37 | 56 | 330 | 191 | 267 | 629 | - | 508 | - | 708 | 394 | 127 |
| C3218-25-26 | - | - | 450 | 200 | 85 | 127 | 15 | 9.5 | 10.5 | 24.75 | - | 22 | - | 27.88 | 15.5 | 7 |
| | - | - | 137 | 61 | 39 | 58 | 381 | 241 | 267 | 629 | - | 559 | - | 708 | 394 | 178 |
| C3222-25-26 | - | - | 700 | 300 | 93 | 135 | 19 | 13.5 | 10.5 | 24.75 | - | 26 | - | 27.88 | 15.5 | 11 |
| | - | - | 213 | 91 | 42 | 61 | 483 | 343 | 267 | 629 | - | 660 | - | 708 | 394 | 279 |
| C3230-25-26 | - | - | - | 500 | 113 | 155 | 27.5 | 22 | 10.5 | 24.75 | - | 34.5 | - | 7.88 | 15.5 | 19.5 |
| | - | - | - | 152 | 51 | 70 | 699 | 559 | 267 | 629 | - | 876 | - | 708 | 394 | 495 |
| C1512-17-18 | 900 | 200 | - | - | 22 | 31* | 9 | 4 | 6 | 16.5 | 19 | 14 | 14.5 | 18.12 | 9.88 | 7.5 |
| | 274 | 61 | - | - | 10 | 14 | 229 | 102 | 152 | 419 | 483 | 356 | 368 | 460 | 251 | 191 |
| C1514-17-18 | 1300 | 300 | - | - | 23 | 34* | 11 | 6 | 6 | 16.5 | 19 | 16 | 16.5 | 18.12 | 9.88 | 9.5 |
| | 369 | 91 | - | - | 10 | 15 | 279 | 152 | 152 | 419 | 483 | 406 | 419 | 460 | 251 | 241 |
| C1516-17-18 | - | 400 | - | - | 24 | 34* | 13 | 8 | 6 | 16.5 | 19 | 18 | 18.5 | 18.12 | 9.88 | 11.5 |
| | - | 122 | - | - | 11 | 15 | 330 | 203 | 152 | 419 | 483 | 457 | 470 | 460 | 251 | 292 |
| C1520-17-18 | - | 650 | - | - | 25 | 38* | 17 | 12 | 6 | 16.5 | 19 | 22 | 22.5 | 18.12 | 9.88 | 15.5 |
| | - | 198 | - | - | 11 | 17 | 432 | 305 | 152 | 419 | 483 | 559 | 572 | 460 | 251 | 394 |
| C1526-17-18 | - | 900 | - | - | 31 | 50* | 23 | 18 | 6 | 16.5 | 19 | 28 | 28.5 | 18.12 | 9.88 | 21.5 |
| | - | 274 | - | - | 14 | 23 | 584 | 457 | 152 | 419 | 483 | 711 | 724 | 460 | 251 | 546 |
| C1530-17-18 | - | 1000 | - | - | 33 | 50* | 27 | 22 | 6 | 16.5 | 19 | 32 | 32.5 | 18.12 | 9.88 | 25.5 |
| | - | 305 | - | - | 15 | 23 | 686 | 559 | 152 | 419 | 483 | 813 | 826 | 460 | 251 | 648 |

Notes:

- Specifications subject to change.
- Upon request, reels can be supplied with drum lengths other than shown.
- Dimensions reflect pressed frames.
- Weights shown in chart for C1500 series are for crank rewind models. Add these amounts for power rewind models.

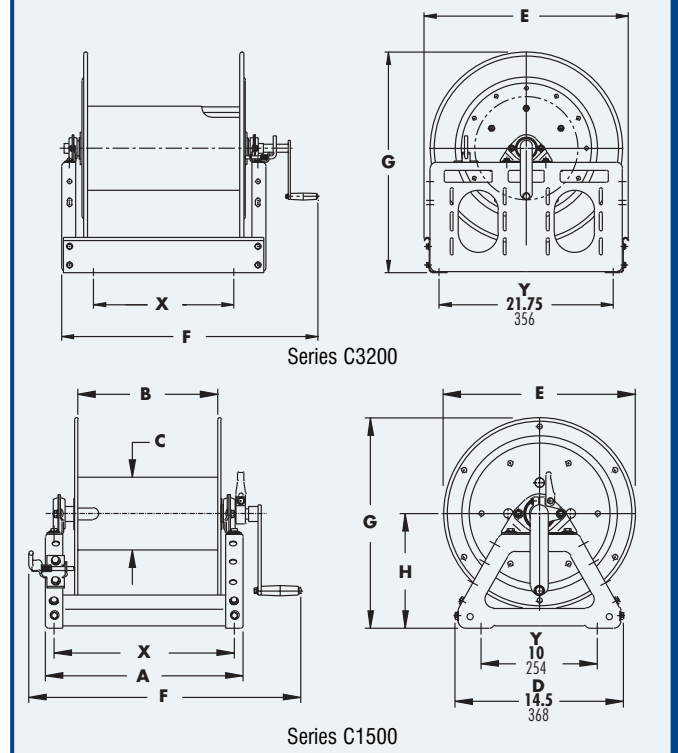
| | Net (lbs.) | Ship (lbs.) | Net (kg.) | Ship (kg.) |
|-----------|------------|-------------|-----------|------------|
| Electric | 18 | 18 | 8.2 | 8.2 |
| Hydraulic | 15 | 15 | 6.8 | 6.8 |
| Air | 15 | 15 | 6.8 | 6.8 |

- When ordering power rewind models (C1500 only), prefix model number with:
A = Air Rewind E = Electric Rewind HD = Hydraulic Rewind
(Air rewind reels are supplied with control valve and hose;
12v and 24v DC rewind reels are supplied with switch and solenoid;
115v AC rewind reels are not supplied with switch but can be ordered separately; hydraulic rewind reels are not supplied with control valve.)
- Series C3200 requires 3-1/2" clearance to remove crank handle.
- Subtract 5" from 'F' dimension for disc rewind on C3200 Series.
- Manual rewind available in RT or LB configurations only.

9. Be sure to check dimensions and weights prior to ordering.

* When shipped as a parcel package (via FedEx or UPS ground).

***x,y indicate mounting holes





MANUAL AND POWER REWIND REELS

To handle live electric cable.

Series CR1600

- Removable direct crank rewind.
- Spring tension brake.

Series ECR1600

- Optional comet brake is available.
- Some roller options may prohibit the use of our molded chain guard.

Series CR6600

- Gear-driven crank rewind.
 - Chain and sprocket drive powered by electric, compressed air, or hydraulic motor.
 - Auxiliary rewind and pinion brake standard.
 - Consult factory for other brakes.
-
- 3-conductor 45 amp collector assembly with #8 gauge wiring.
 - Double brushes per circuit. Brushes are copper graphite, copper alloy rings.
 - Additional conductors or higher amperage (up to 100 amps) are available at extra cost, must be specified. (300 amps possible with custom design).
 - Silver collector assemblies are available.
 - Rollers and roller mounting brackets are accessory items. Specify roller position.



Series CR1600 (Manual Rewind)
Left Top Shown (Standard Configuration is Right Top)



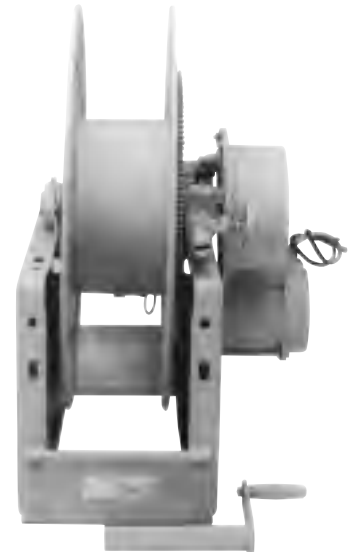
Series ECR1600 (Power Rewind)
Standard Configuration shown



Optional External Mounting Brackets

Part No. 9906.0025

Available for CR1600 & ECR1600 Models



Series CR6600 (Power Rewind)
Standard Configuration shown



Parts Drawing: Series CR1600 – ISO 76, Series CR6600 – ISO 45

| Model Number | Cable Capacity of Reel feet m. | | | | | | Approx. Weight Crank Rewind lb. kg. | | Reel Dimensions*** inches mm. | | | | | | | | | | | | |
|--------------|--------------------------------------|------------|------------|-----------|-----------|-----------|--|-----------|-------------------------------------|-----------|------------|-------------|-------------|--------------|--------------|--------------|--------------|--------------|--------------|-------------|--------------|
| | GA./NO. OF CONDUCTORS | | | | | | NET | SHIP | A | B | C | D | E CRANK | E PWR. | F CRANK | F PWR. | G | H | X | Y | |
| | 14/3 | 12/3 | 10/3 | 8/3 | 12/4 | 10/4 | | | | | | | | | | | | | | | |
| | O.D. (in) | .530 | .600 | .690 | .750 | .670 | .750 | | | | | | | | | | | | | | |
| | O.D. (mm) | 14 | 15 | 18 | 19 | 17 | 19 | | | | | | | | | | | | | | |
| CR1614-17-18 | | 225 69 | 175 53 | 100 30 | – – | 100 30 | 100 30 | 30 14 | 45* 20 | 11 279 | 6 152 | 6 152 | 14.5 368 | 16.5 419 | 19 483 | 21.75 552 | 17.5 446 | 18.12 460 | 9.88 251 | 9.5 241 | 10 254 |
| CR1616-17-18 | | 300 91 | 200 61 | 150 46 | – – | 150 46 | 150 46 | 32 15 | 45* 20 | 13 330 | 8 203 | 6 152 | 14.5 368 | 16.5 419 | 19 483 | 23.75 603 | 19.5 495 | 18.12 460 | 9.88 251 | 11.5 292 | 10 254 |
| CR1618-17-18 | | 350 107 | 275 84 | 200 61 | – – | 200 61 | 200 61 | 33 15 | 47* 21 | 15 381 | 10 254 | 6 152 | 14.5 368 | 16.5 419 | 19 483 | 25.75 654 | 21.5 546 | 18.12 460 | 9.88 251 | 13.5 343 | 10 254 |
| CR1620-17-18 | | 450 137 | 350 107 | 250 76 | – – | 250 76 | 225 69 | 34 15 | 50* 23 | 17 432 | 12 305 | 6 152 | 14.5 368 | 16.5 419 | 19 483 | 27.75 705 | 23.5 597 | 18.12 460 | 9.88 251 | 15.5 394 | 10 254 |
| CR6614-19-20 | | 200 61 | 150 46 | 100 30 | – – | – – | – – | 113 51 | 148 67 | 11 279 | 5.5 140 | 10.5 267 | 20.5 521 | 22 559 | 22 559 | 16 406 | 17.75 451 | 21.5 546 | 12.12 308 | 5.75 146 | 16.75 425 |
| CR6614-23-24 | | – – | 300 91 | 225 69 | 175 53 | – – | – – | 120 54 | 155 70 | 11 279 | 5.5 140 | 10.5 267 | 20.5 521 | 23 584 | 23 584 | 16 406 | 17.75 451 | 23.5 597 | 12.12 308 | 5.75 146 | 16.75 425 |
| CR6614-25-26 | | – – | 350 107 | 250 76 | 200 61 | – – | – – | 133 60 | 168 76 | 11 279 | 5.5 140 | 10.5 267 | 25.5 648 | 24.75 629 | 24.75 629 | 16 406 | 17.75 451 | 27.88 708 | 15.5 394 | 5.75 146 | 21.75 552 |

Notes:

- Specifications subject to change.
- Upon request, reels can be supplied with drum lengths other than shown and with disc sizes in other diameters.
- Dimensions reflect pressed frames.
- Weights shown in chart are for crank rewind models. Add these amounts for power rewind models.

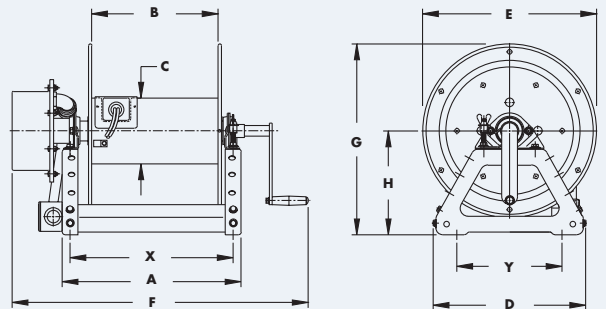
| Series | Net (lbs.) | Ship (lbs.) | Net (kg.) | Ship (kg.) |
|---------------|------------|-------------|-----------|------------|
| Series CR1600 | | | | |
| Electric | 18 | 18 | 8.2 | 8.2 |
| Hydraulic | 15 | 15 | 6.8 | 6.8 |
| Air | 15 | 15 | 6.8 | 6.8 |
| Series CR6600 | | | | |
| Electric | 40 | 40 | 18.1 | 18.1 |
| Hydraulic | 20 | 20 | 9.1 | 9.1 |
| Air | 20 | 20 | 9.1 | 9.1 |

- When ordering power rewind models, prefix model number with:
A = Air Rewind E = Electric Rewind (Series CR1600)
EP= Electric Rewind (Series CR6600) HD = Hydraulic Rewind
(Air rewind reels are supplied with control valve and hose;
12v and 24v DC rewind reels are supplied with switch and solenoid; 115v AC
rewind reels are not supplied with switch but can be ordered separately;
hydraulic rewind reels are not supplied with control valve.)
- Add 2-1/8" to "A" dimension when using external mounting brackets on
CR1600, ECR1600 series reels.

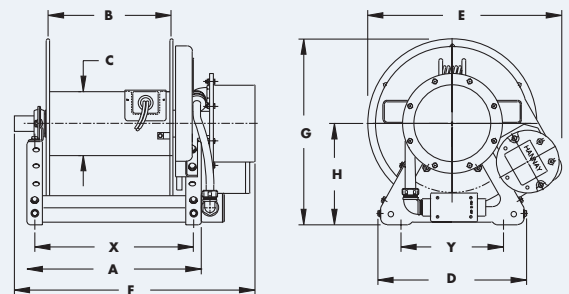
7. Be sure to check dimensions and weights prior to ordering.

* When shipped as a parcel package (via FedEx or UPS ground).

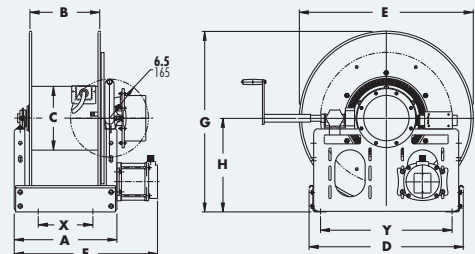
***x,y indicate mounting holes



Series CR1600 (Manual Rewind)



Series ECR1600 (Power Rewind)



Series CR6600 (Power Rewind)

SCR700/NSCR700

SPRING REWIND REELS

To handle live electric cable.

- Heavy-duty spring motor.
- Non sparking ratchet.
- Declutching arbor.
- Consult factory for constant tension applications.
- 3-conductor 45 amp 600 volt collector assembly with #8 gauge wiring.
- Double brushes per circuit. Brushes are copper graphite with copper alloy rings.
- Additional conductors or higher amperage (up to 300 amps) available, consult factory.
- Silver collector available.
- Supplied with a 4-way roller assembly. Roller position must be specified.
- A cable stop should be used.
- For vertical lift, stretch and/or crane installation, consult factory for proper spring specifications.



Series SCR700
Standard Configuration shown



Series NSCR700
Standard Configuration shown

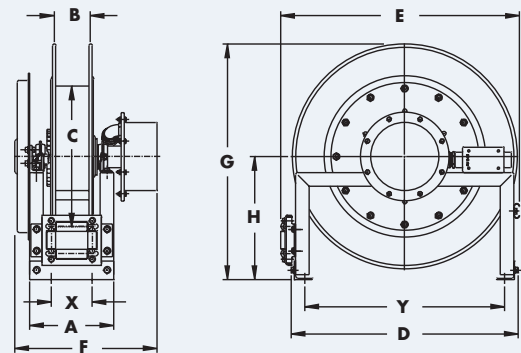
SCR700/NSCR700

Parts Drawing: Series SCR700 – ISO 49, Series NSCR700 – ISO 164

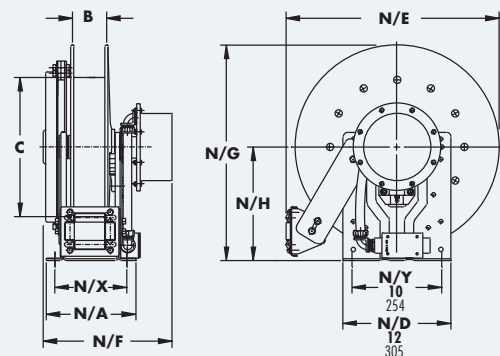
| Model Number | Cable Capacity of Reel feet m. | | | | Approx. Weight lb. kg. | | Roller Assembly | Reel Dimensions*** inches mm. | | | | | | | | | | | | | | | | | | |
|------------------|--------------------------------------|---------------|---------------|---------------|------------------------------|-----------|-----------------|-------------------------------------|-----------|----------|-------------|--------------|--------------|--------------|--------------|--------------|--------------|--------------|--------------|--------------|------------|----------|--------------|--|--|--|
| | GA./NO. OF CONDUCTORS | | | | NET | SHIP | | A | N/A | B | C | D | E | N/E | F | N/F | G | N/G | H | N/H | X | N/X | Y | | | |
| | 14/3 | 12/3 | 10/3 | 8/3 | | | | | | | | | | | | | | | | | | | | | | |
| O.D. | .530" 14mm | .600" 15mm | .690" 18mm | .750" 19mm | | | | | | | | | | | | | | | | | | | | | | |
| NSCR715-14-16C | 35 11 | 25 8 | - | - | 59 27 | 74 34 | N203 | - | 9 229 | 3 76 | 8 203 | - | - | 17.62 448 | - | 13.75 349 | - | 16.12 409 | - | 9.12 232 | - | 7 178 | - | | | |
| NSCR715-16-17C | 40 12 | 35 11 | - | - | 62 28 | 77 35 | N203 | - | 9 229 | 3 76 | 10.5 267 | - | - | 18.5 470 | - | 13.75 349 | - | 17 432 | - | 9.12 232 | - | 7 178 | - | | | |
| NSCR715-19-20J | 50 15 | 50 15 | 50 15 | 50 15 | 74 34 | 109 49 | N204 | 8.25 210 | 9 229 | 3 76 | 10.5 267 | 18 457 | 19.5 495 | 20.75 527 | 15.25 387 | 13.75 349 | 19.75 502 | 20 508 | 10.38 264 | 10.62 270 | 3.5 89 | 7 178 | 15 381 | | | |
| NSCR716-23-24B | 75 23 | 75 23 | 75 23 | 75 23 | 99 45 | 134 61 | N204 | 9.25 235 | 10 254 | 4 102 | 15.5 394 | 23.25 591 | 24.38 619 | 23.75 603 | 16.25 413 | 14.75 375 | 23.88 607 | 24 610 | 12.5 318 | 12.62 321 | 4.5 114 | 8 203 | 20.25 514 | | | |
| NSCR716-23-24G | 100 30 | 100 30 | - | - | 105 48 | 140 64 | N204 | 9.25 235 | 10 254 | 4 102 | 15.5 394 | 23.25 591 | 24.38 619 | 23.75 603 | 16.25 413 | 14.75 375 | 23.88 607 | 24 610 | 12.5 318 | 12.62 321 | 4.5 114 | 8 203 | 20.25 514 | | | |
| SCR716-30-31-20A | 120 37 | 120 37 | 120 37 | 120 37 | 127 58 | 162 73 | R204 | 9.25 235 | - | 4 102 | 20 508 | 28.5 724 | 29.62 752 | - | 17 432 | - | 31.38 797 | - | 17 432 | - | 4.5 114 | - | 25.5 648 | | | |

Notes:

1. Specifications subject to change.
 2. For reels with 4-conductor 45 amp collector assemblies, add 2" to "F" dimension.
 3. Reel models and capacities shown are for standard drag applications; for vertical lift applications consult factory.
 4. Other sizes from standard components, available upon request.
 5. Be sure to check dimensions and weights prior to ordering.
 6. Roller assembly is supplied on standard models.
- ***x,y indicate mounting holes

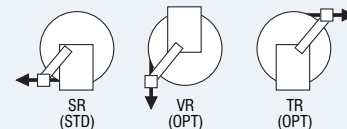


Series SCR700



Series NSCR700

Roller Positions Available



SCR10-17-19

SPRING REWIND REELS

To handle live electric cable.

- Heavy-duty internal spring motor.
- Non sparking ratchet assembly.
- Declutching arbor.
- 3-conductor 30 amp.
- 6 foot power source.
- 15 amp, 3 prong straight blade plug provided standard. (Twistlock plug is optional.).
- Cable stop should be used.



Standard Configuration shown



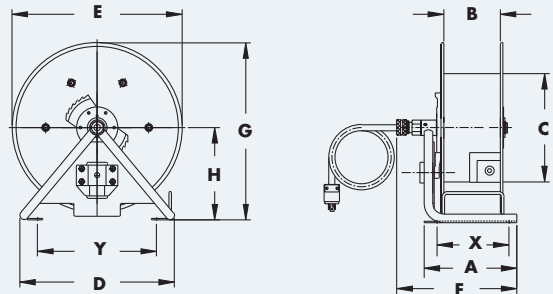
Optional Roller Mounting Bracket for the SCR 10-17-19 reel

Parts Drawing – ISO 46

| Model Number | Cable Capacity of Reel | | | | Approx. Weight | | Reel Dimensions*** | | | | | | | | | |
|--------------|------------------------|------|------|------|----------------|------|--------------------|-----|------|------|------|-------|-------|------|-----|------|
| | feet m. | | | | lb. kg. | | inches mm. | | | | | | | | | |
| | GA./NO. OF CONDUCTORS | | | | NET | SHIP | A | B | C | D | E | F | G | H | X | Y |
| | O.D. (in) | .390 | .530 | .600 | | | | | | | | | | | | |
| | O.D. (mm) | 10 | 14 | 15 | | | | | | | | | | | | |
| SCR10-17-19 | | 70 | 70 | 75 | 42 | 47* | 9.25 | 6 | 10.5 | 15.5 | 16.5 | 11.75 | 17.12 | 8.88 | 7 | 11.5 |
| | | 21 | 21 | 23 | 19 | 21 | 235 | 152 | 267 | 394 | 419 | 298 | 435 | 226 | 178 | 292 |

Notes:

1. Specifications subject to change.
 2. Be sure to check dimensions and weights prior to ordering.
- *When shipped as a parcel package (via FedEx or UPS ground).
 ***x,y indicate mounting holes



Model SCR10-17-19

LC/CR

PORTABLE ELECTRIC CABLE REELS



LC16-10-11

- For:
- Extension Cord
 - Broadcast Cable

Model LC16-10-11

- Waterproof duplex.
- Receptacle for 3-pronged plug.
- Twist lock duplex is available.
- Cam-lock brake.



CR Series

- For:
- Industrial
 - Broadcast
 - Agricultural
 - Fire and Rescue

Series CR

- Compact, lightweight, rugged construction.
- 3-conductor 30 amp collector ring.
- 6-foot power source lead of 12/3 cable.
- 15 amp 3-prong straight blade plug (twist lock optional).
- Cam-lock brake.

Rewind:

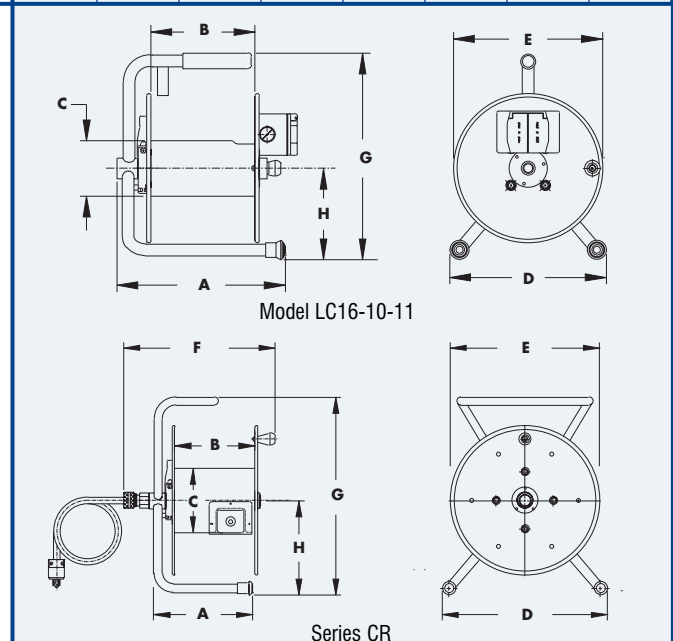
- Crank rewind permanent.

Parts Drawing: Series LC – ISO 120, Series CR – ISO 156

| Model Number | Cable Capacity of Reel <small>feet</small> <small>m.</small> | | | | Approx. Weight <small>lb.</small> <small>kg.</small> | | Reel Dimensions <small>inches</small> <small>mm.</small> | | | | | | | |
|--------------|--|-------------------|-------------------|-------------------|--|--------------|--|----------|--------------|--------------|--------------|-------------|-------------|---|
| | GA./NO. OF CONDUCTORS | | | | NET | SHIP | A | B | C | D | E | F | G | H |
| | O.D. (in) O.D. (mm) | 16/3 .39 10 | 14/3 .53 13 | 12/3 .60 15 | | | | | | | | | | |
| LC16-10-11 | 275 84 | 125 38 | 100 30 | 11 5 | 14* 6 | 11.75 298 | 7.5 190 | 4 102 | 11.88 302 | 10.75 273 | 12.25 311 | 15 381 | 6.88 175 | |
| CR16-14-16 | 400 122 | 200 61 | 150 46 | 24 11 | 30* 14 | 9.25 235 | 7.5 190 | 6 152 | 15.5 394 | 14 356 | 14.5 368 | 18.5 470 | 8.88 226 | |
| CR16-17-18 | 650 198 | 300 91 | 250 76 | 26 12 | 30* 14 | 9.25 235 | 7.5 190 | 6 152 | 15.5 394 | 16.5 419 | 14.5 368 | 18.5 470 | 8.88 226 | |

Notes:

1. Specifications subject to change.
 2. Be sure to check dimensions and weights prior to ordering.
- *When shipped as a parcel package (via FedEx or UPS Ground)



Optional 15-amp 3prong straight blade receptacle recessed in drum.
Part No: 9955.0090



PORTABLE STORAGE REELS

No live connections.

Model C16-10-11

- Small, lightweight, durable.
- Cam-lock brake.

Model C20-14-16

- Strong, portable.
- Cam-lock brake.
- Optional pin lock available.
- Permanent crank rewind.



C16-10-11

- For:
- Broadcast Cable
 - Extension Cord
 - Rope



C20-14-16

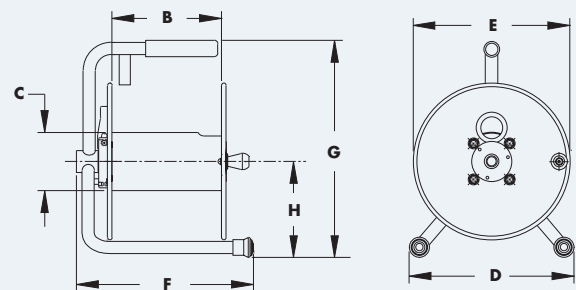
- For:
- Broadcast Cable
 - Extension Cord
 - Forestry Fire Hose
 - Rope

Parts Drawing: Model C16-10-11 – ISO 88, Model C20-14-16 – ISO 121

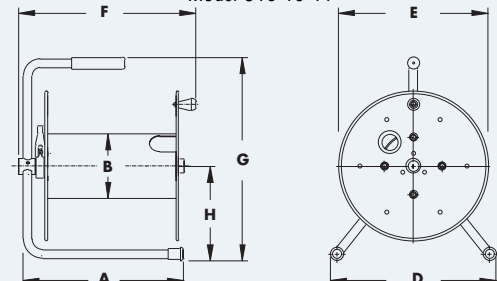
| Model Number | Cable Capacity of Reel | | | 1" collapsible hose | Approx. Weight | | Reel Dimensions* | | | | | | | |
|-----------------------|------------------------|-----|-----|---------------------|----------------|------|------------------|-----|-----|-------|-------|-------|-----|------|
| | feet | | | | NET | SHIP | A | B | C | D | E | F | G | H |
| | m. | | | | | | | | | | | | | |
| GA./NO. OF CONDUCTORS | | | | NET | SHIP | A | B | C | D | E | F | G | H | |
| O.D. (in) | .39 | .53 | .60 | | | | | | | | | | | 16/3 |
| O.D. (mm) | 10 | 14 | 15 | | | | | | | | | | | |
| C16-10-11 | 275 | 125 | 100 | – | 10 | 13* | – | 7.5 | 4 | 11.88 | 10.75 | 11.75 | 15 | 6.88 |
| | 84 | 38 | 30 | – | 5 | 6 | – | 191 | 102 | 302 | 273 | 298 | 381 | 175 |
| C20-14-16 | – | 350 | 250 | 100 | 18 | 30* | 15 | 12 | 6 | 15.5 | 14 | 16.75 | 19 | 8.62 |
| | – | 107 | 76 | 30 | 8 | 14 | 381 | 305 | 152 | 394 | 356 | 425 | 483 | 219 |

Notes:

1. Specifications subject to change.
 2. These storage reels have no live connections.
 3. Be sure to check dimensions and weights prior to ordering.
- *When shipped as a parcel package (via FedEx or UPS ground).



Model C16-10-11



Model C20-14-16

AT1300/4300

PORTABLE CABLE REEL ON WHEELS

Model AT1300.



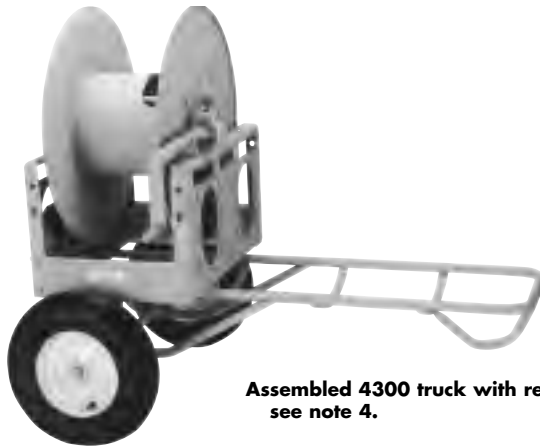
Model AT1300

- For:
- Industrial Maintenance
 - Construction
 - Agriculture
 - Broadcast
 - Grounds Maintenance

- Direct crank rewind reel.
- Adjustable spring drag device.
- 3 conductor 45 amp collector ring is standard.
- 6-foot power source lead of 10/3 cable.
- 15 amp 3-prong straight blade (twist lock optional).
- Additional conductors available, consult factory.
- Direct offset rewind crank.

STEEL HAND TRUCK

Model 4300. For portability of hose and cable reels.



Assembled 4300 truck with reel attached, see note 4.

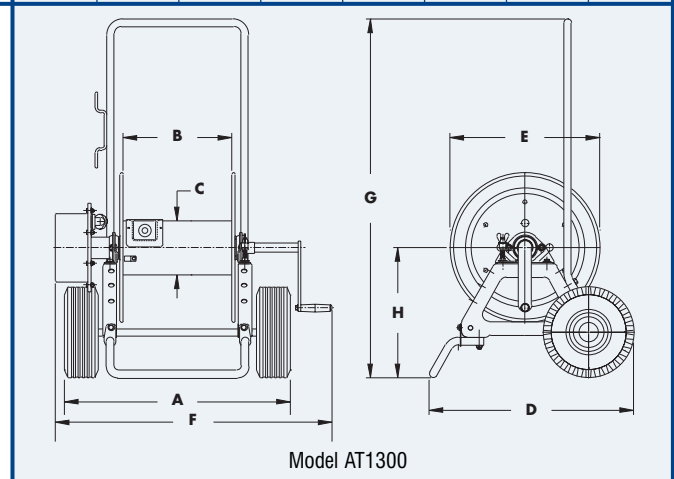
- 4" x 16" O.D. pneumatic tires.
- Overall dimensions will vary according to the reel model used. Hand truck is finished in the same color you specify for the reel.

Parts Drawing – ISO 189

| Model Number | Cable Capacity of Reel feet m. | | | | Approx. Weight lb. kg. | | Reel Dimensions*** inches mm. | | | | | | | |
|--------------|--------------------------------------|------------|-----------|-----------|------------------------------|-----------|-------------------------------------|-----------|----------|-----------|-------------|--------------|-----------|--------------|
| | GA./NO. OF CONDUCTORS | | | | NET | SHIP | A | B | C | D | E | F | G | H |
| | O.D. (in) O.D. (mm) | .53 14 | .60 15 | .69 18 | | | | | | | | | | |
| AT1300 | 500 152 | 400 122 | 300 91 | | 70 32 | 102 46 | 21.5 546 | 12 305 | 6 152 | 22 559 | 16.5 419 | 26.88 683 | 39 991 | 13.81 351 |

Notes:

1. Specifications subject to change.
2. Truck is also sold separately. Maximum reel size dimensions when installed on hand truck:
A=32" (812.8mm), B=27" (685.8mm), E=32" (812.8mm)
3. Be sure to check dimensions and weights prior to ordering.
4. Hand truck, axle and wheels shipped separately for customer installation. Specify if reel axis is perpendicular or parallel to truck axle.



C1150/ATC1250

PORTABLE STORAGE REELS ON WHEELS

No live connections.

Model C1150

- 7/8" x 1-3/4" (22.2 mm x 44.4 mm) opening.
- Cam-lock brake.

Model ATC1250

- Pneumatic tires.
- 4" x 5-1/2" (101.6 mm x 139.7 mm) opening.
- Cam-lock brake.



Model C1150



Model ATC1250

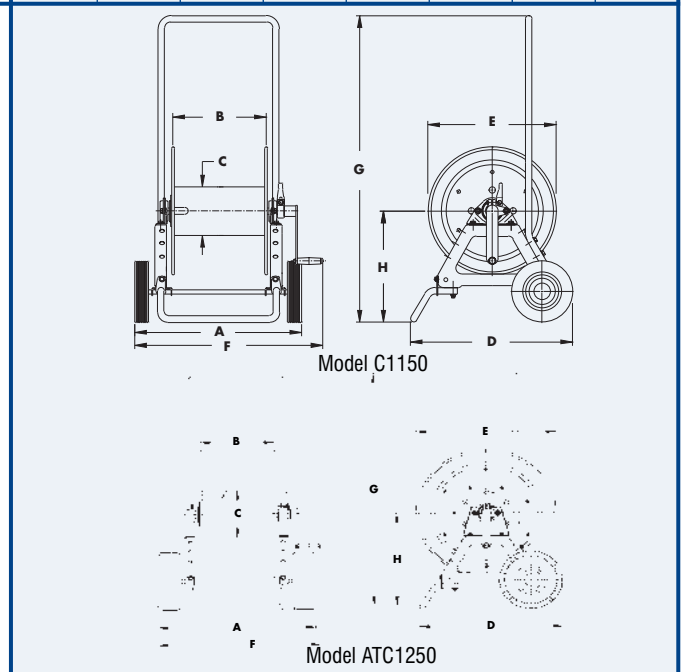
- For:
- Industrial Maintenance
 - Construction
 - Agriculture
 - Grounds Maintenance

Parts Drawing: Model C1150 – ISO 48, Model ATC1250 – ISO 87

| Model Number | Cable Capacity of Reel <small>feet</small> <small>m.</small> | | | | Approx. Weight <small>lb.</small> <small>kg.</small> | | Reel Dimensions <small>inches</small> <small>mm.</small> | | | | | | | | |
|--------------|--|-------------|------------|------------|--|----------|--|--------------|-------------|----------|-----------|-------------|--------------|------------|--------------|
| | GA./NO. OF CONDUCTORS | | | | NET | SHIP | A | B | C | D | E | F | G | H | |
| | 16/3 | 14/3 | 12/3 | 10/3 | | | | | | | | | | | |
| | O.D. (in) O.D. (mm) | .390 10 | .530 14 | .600 15 | .690 18 | | | | | | | | | | |
| C1150 | | 1100 335 | 500 152 | 400 122 | 300 91 | 44 20 | 49* 22 | 21.5 546 | 12 305 | 6 152 | 22 559 | 16.5 419 | 24.25 616 | 39 991 | 13.81 351 |
| ATC1250 | | 1800 549 | 950 290 | 750 229 | 550 168 | 82 37 | 89* 40 | 24.88 632 | 11.5 292 | 8 203 | 23 584 | 23 584 | 26.5 673 | 40 1016 | 17.25 438 |

Notes:

- Specifications subject to change.
1. When ordering C1150 and ATC1250, specify model number, O.D., length and weight of cable, hose, etc.
 2. These storage reels have no live connections.
 3. Be sure to check dimensions and weights prior to ordering.
- *When shipped as a parcel package (via FedEx or UPS ground) – some assembly required.



CUSTOM ENGINEERING

Reels and spools.

Custom spools and reels for cable handling and storage can be built in an almost limitless range of sizes and with a wide variety of special features, such as divider discs, slotted discs, casters, etc. All rewind mechanisms described in this catalog can be specified for custom-built reels. To meet special requirements, motors used to power chain and sprocket rewind mechanisms can be mounted off the reel or within the reel frame.

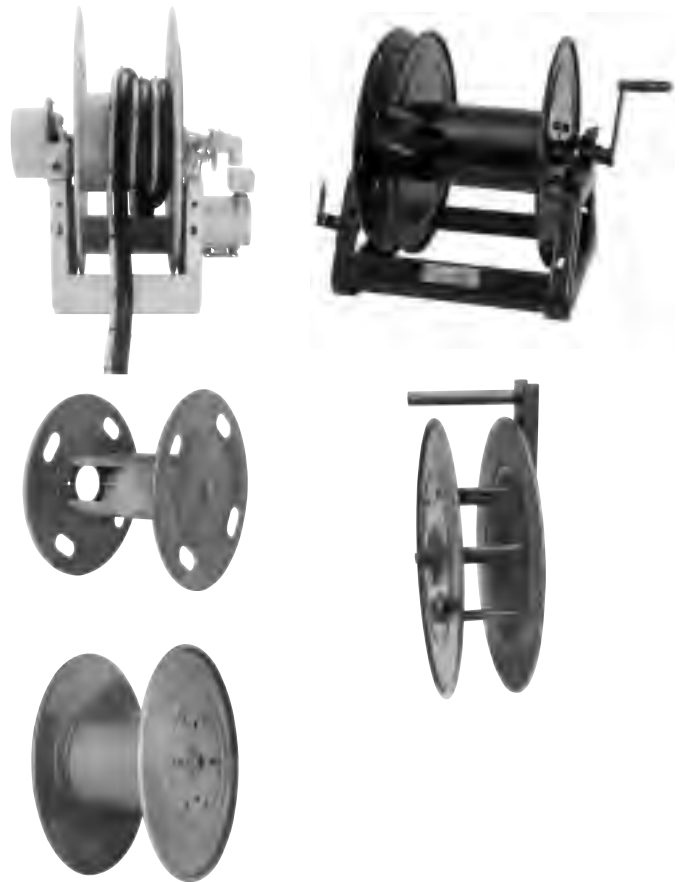
Spools include the discs, tie-rods and spacers, and the drum. Since discs are inventoried in a range of standard diameters, and drum lengths can be adjusted, spools can be supplied to accommodate a wide range of cable sizes and lengths.

Orders and quotations:

See order form to supply proper information for orders or quotations, found in Ordering & Accessory Guide H-0415-OA.

Requests for quotations for custom reels and spools should include:

- Complete specifications on cable size and length and weight.
- O.D. and bending radius of cable.
- Number of conductors, voltage and amperage.
- Type of rewind mechanism, including available power for electric, hydraulic or air rewind motors.
- Complete description of how reel is to be installed and used.
- Specification of any accessories.



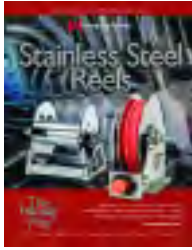
CABLE CONVERSIONS

Power/Control Cable

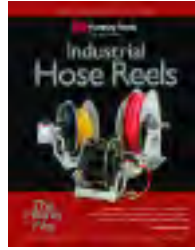
| Wire Size (AWG)/ Conductors | Area (Per Conductor) | |
|--------------------------------|----------------------|--------|
| | Circ. Mils | Sq. mm |
| 16/3 | 2,600 | 1.3 |
| 14/3 | 4,100 | 2.1 |
| 12/3 | 6,500 | 3.3 |
| 10/3 | 10,500 | 5.3 |
| 8/3 | 16,800 | 8.5 |

CABLE CHART

| TYPE SOOW—600 Volt | | | | | |
|--------------------|-------------|--------------|-------|-----------------|-----------------|
| NO. OF COND. | AWG SIZE | NOMINAL O.D. | | CURRENT AMPS | WEIGHT LBS/M |
| | | INCHES | MM | | |
| 2 | 18 | 0.345 | 8.74 | 10 | 75 |
| 3 | 18 | 0.365 | 9.27 | 10 | 87 |
| 4 | 18 | 0.390 | 9.91 | 7 | 102 |
| 2 | 16 | 0.370 | 9.40 | 13 | 78 |
| 3 | 16 | 0.390 | 9.91 | 13 | 105 |
| 4 | 16 | 0.415 | 10.54 | 10 | 120 |
| 2 | 14 | 0.500 | 12.70 | 18 | 151 |
| 3 | 14 | 0.530 | 13.46 | 18 | 176 |
| 4 | 14 | 0.570 | 14.48 | 15 | 210 |
| 2 | 12 | 0.575 | 14.61 | 25 | 201 |
| 3 | 12 | 0.600 | 15.24 | 25 | 235 |
| 4 | 12 | 0.650 | 16.51 | 20 | 291 |
| 2 | 10 | 0.625 | 15.88 | 30 | 245 |
| 3 | 10 | 0.660 | 16.76 | 30 | 307 |
| 4 | 10 | 0.710 | 18.03 | 25 | 360 |
| 2 | 8 | 0.675 | 17.15 | 40 | 300 |
| 3 | 8 | 0.725 | 18.42 | 40 | 383 |
| 4 | 8 | 0.780 | 19.81 | 35 | 511 |
| 5 | 8 | 0.875 | 22.23 | 28 | 633 |



Stainless Steel Reels



Hose Reels



Spray Hose Reels



Welding Reels



Reference Guide



Pressure Wash Reels



Audio/Video Reels



Ordering & Accessory Guide



Family owned and operated since 1933, Hannay Reels is a leader in both OEM and aftermarket applications. Hannay offers thousands of standard hose reel and cable reel models, as well as unmatched custom capabilities. We can easily and affordably customize a reel to meet your exact specifications – built to last, delivered fast. Additional catalogs are available through your local Hannay Reels dealer or online at www.hannay.com.



553 State Route 143 • Westerlo, New York 12193-0159
Toll Free Phone: 1-**877**-GO-REELS • Toll Free Fax: 1-800-REELING

E-mail: reels@hannay.com

Intl. Phone: 1-518-797-3791 • Intl. Fax: 1-518-797-3259

www.hannay.com



MADE IN U.S.A.